

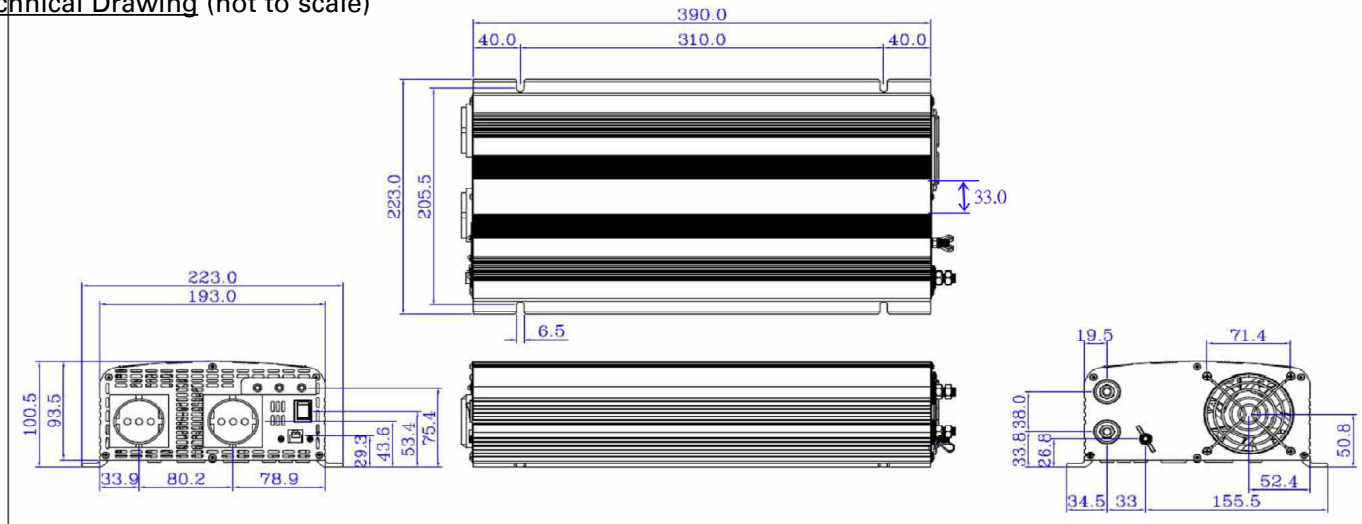
# auto electrical parts

## Technical Information Sheet

**Part No. 0-857-58**

The Durite 800W Sine wave inverter is protected against overload, over temperature, low battery and short circuit. It is supplied with two standard UK three pin socket outlets, on off switch, LED indicators for voltage and consumption. A remote control is also available as an option. The Durite 800W inverter is available in both 12v (see: 0-857-08) and 24v. The Durite 800W inverter can be used for radio/stereo, laptop, computer, television, video, fax machine, power tool, halogen lamp, drill, coffee maker, hair dryer, microwave, kettle, small fridge/freezer\*

### Technical Drawing (not to scale)



### Specification

DC Input Voltage	24 Volts
AC Output Voltage	230 Volts
Output Frequency	50 Hz
Output Waveform	Sine Wave
Continuos Output Power	800W
Surge Output Power	1600W
Efficiency	85%
No Load Current	0.7A
Input 100% Load Current Draw	37.5A
Output 100% Load Current Draw	3.48A
Battery Low Voltage Alarm	21 ± 1 Vdc
Battery Low Voltage Shutdown	20 ± 1 Vdc
Alarm and Thermal Shutdown	60 + 10°C / 140 + 18°F
Dimensions	390 x 223 x 103mm
Weight	6.18 KG

\*Individual applications must be checked for their power requirements. Not all electronic products will work with modified wave inverters and pure sine wave inverters are recommended for sensitive electronic devices. The information contained in this document is correct to the best of our knowledge at the time of printing. However, specifications may change at any time without notice.